



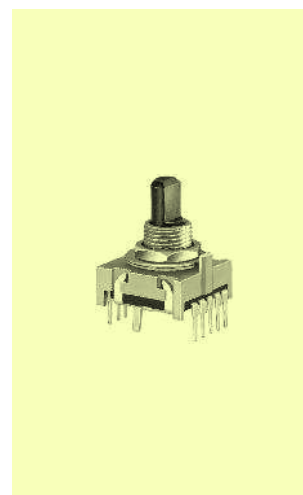
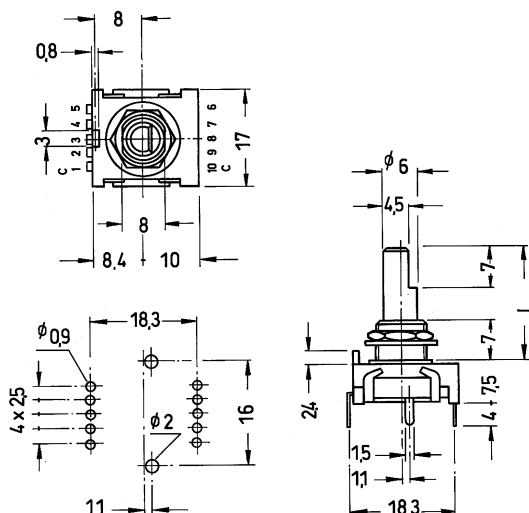
# Miniature Rotary Switches

## Specifications:

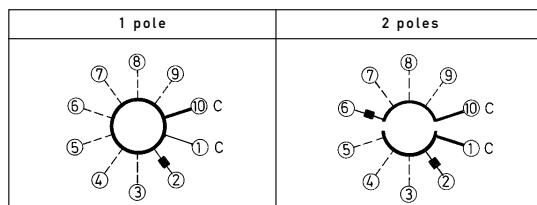
|                            |   |
|----------------------------|---|
| Contact rating:            | 16 V DC, 300 mA   |
| Contact resistance:        | < 50 mΩ   |
| Insulation resistance:     | > 100 MΩ at 500 V DC                                      |
| Dielectric strength:       | 100 V, 50 Hz for the duration of 1 minute                 |
| Operating temperature:     | -20 °C to +80 °C  |
| Mechanical life:           | minimum 10 000 operations                                 |
| Contacts:                  | gold  |
| Material:                  | case: PBT with glass fibre 30%; shaft: PA, flat           |
| Angle between 2 positions: | 30°   |
| Mounting:                  | on pc-board or front panel, bushing M 9 x 0.75, key 12 mm |
| Contact timing:            | non-shorting  |
| Soldering conditions:      | max.: 3 sec, 260 °C                                       |

## Models:

MRS 18 V

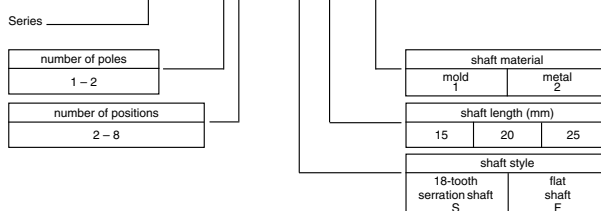


## Circuit diagram:



## Ordering code:

\* MRS 18 V - 15 N - F 25 - 1



\* Non-stock item; minimum quantity and delivery time on request